

MR16 (1x5W LED)GU5.3

DATA SHEET

LEDonline Ltd.

29 Gay Street, Bath, U.K. BA1 2NT
Tel: 01225 386593 Fax: 01225383325
Website: www.ledonline.co.uk

1. Applications :

Area: Indoor

Purpose: Down light, Spot light, Wall washer lighting

Features: - No UV or IR radiation, the objective surface will not heat and degenerate

- High brightness, No flicker and Energy saving

- Long operation life (~50,000 hours)

- Good thermal dissipation design

- High-efficient power supply.

- IP54

2. Specification :

Outline Dim: 49.80x53.50 (L) mm

LED Light Source: 5Wx1ea (Cree XRE)

Input Voltage: 8~25V AC/DC

Power Consumption: 5 watt

Colour Temp.: 5500/3000K

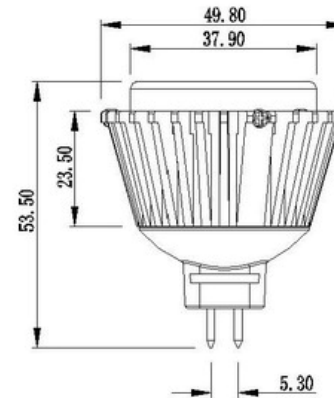
Operation Temp.: -20~40°C

Storage Temp.: -40~80°C

Halogen Equivalence: 30~40 watt

Net Weight: 70g

Beam Angle: 15°/25°/40°



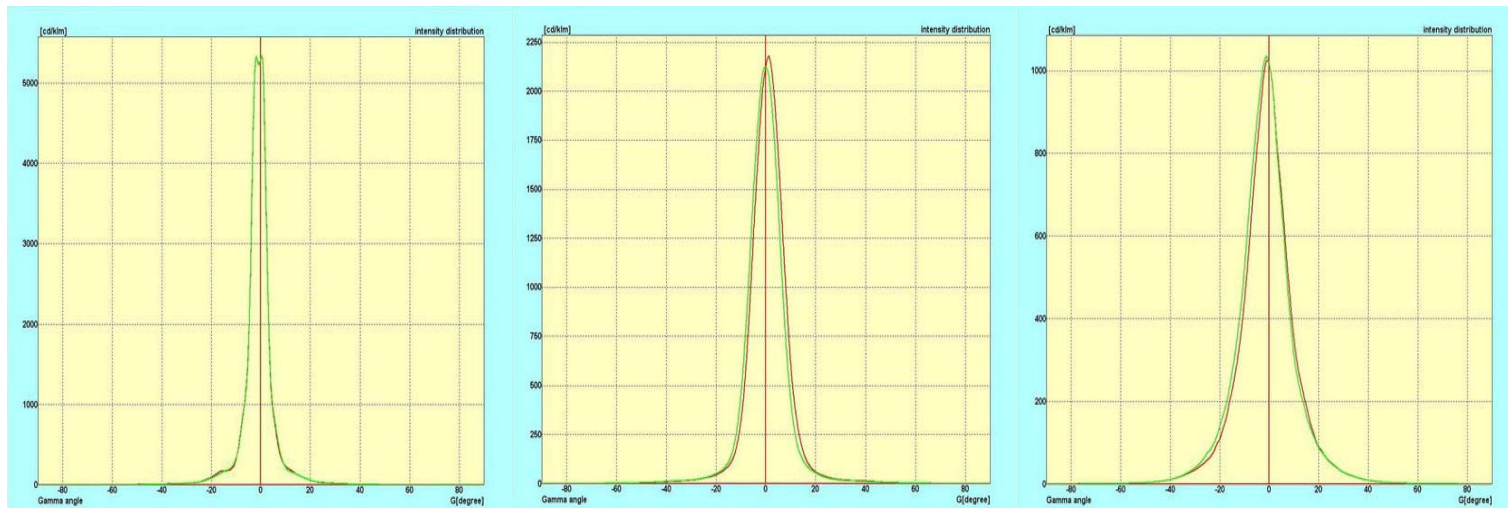
3. Packaging information:

Package: 50pcs /inner box, 4 inner box /carton		
box	53X53X83 (mm)	85 g
carton	480X460X580 (mm)	20 kg

4. Optical performance :

Colour Temp.	Model Number	Beam Angle	Output Lumens	CRI
5500K	BL-M16CWxx	15/25/40 degree	200	75
3000K	BL-M16WWxx	15/25/40 degree	160	75

Cartesian Diagrams (5500K)

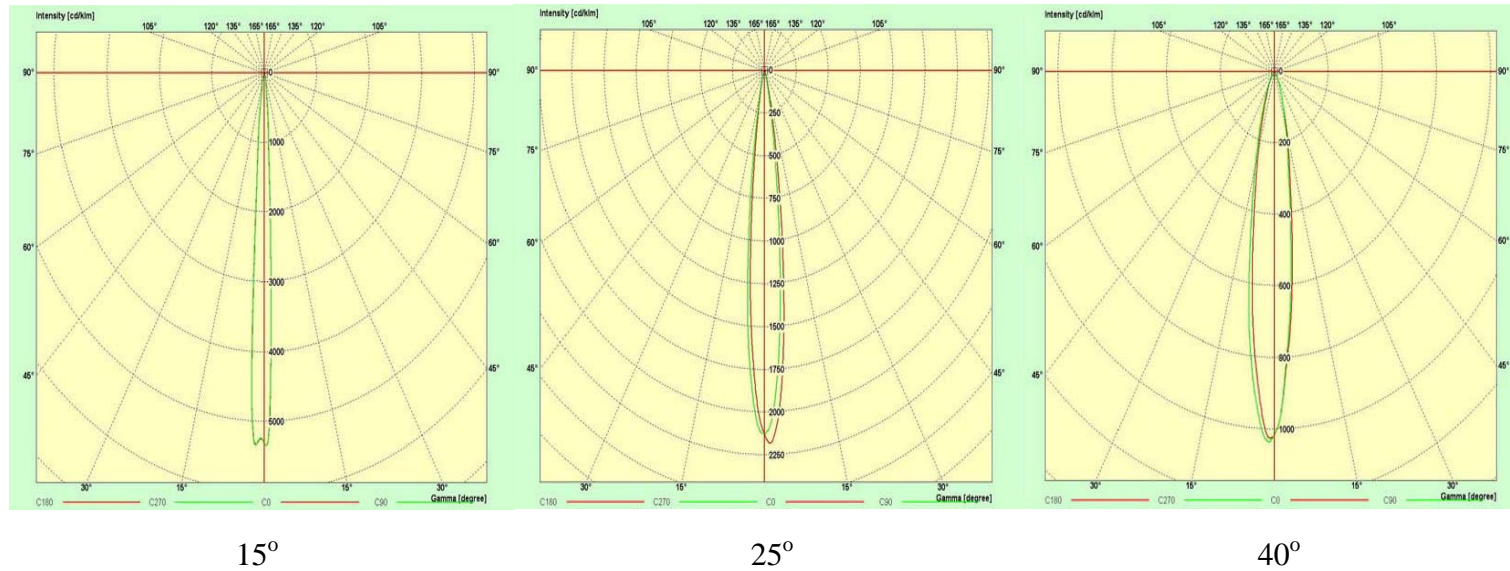


15°

25°

40°

Polar Diagrams (5500K)



5. Safety warning

The T-type series MR16 GU5.3 is not compatible with all MR16 fixtures. Before installation, please read following guidelines:

- T-type series MR16 can not be installed in sealed fixtures.
- T-type series MR16 can not be installed in outdoor fixtures.
- T-type series MR16 is not designed for use in wet environment
- T-type series MR16 is not compatible with fixtures which have integrated electric type AC transformers
- T-type series MR16 can not install in a fixture which an integral primary optics to focus the light.

6. Operation manual

Two Types of low-voltage transformers are used with traditional Halogen lamps; magnetic AC12V and electronic AC12V. Consider the following when selecting transformers for use with MR16 LED.

- *AC12V Magnetic Transformer:*

The LED bulb is compatible with magnetic transformers used with 12V halogens; however, magnetic transformers are heavier, less efficient, and make noise. Under 12VAC condition, T-type series MR16 LED can only present 90% lighting comparing the condition under 12VDC.

- *AC12V Electronic Transformer:*

The LED bulb is not compatible with electronic transformers or electronic-magnetic AC12V due to the output sections of this kind of transformers are not stable. Besides, some electronic transformers require a minimum load higher than 5~10Watt in order to work properly. - Symptoms of incompatibility include: no light output, flickering, strobe and randomly shutdown.

- *DC12V Power Supply:*

T-type MR16 can perform highest brightness and power efficiency under DC12V power supply.

- *DC Constant current driver:*

T-type MR16 can also perform high efficiency with constant current driver which is greater than 8VDC of output section.

7. Average Life time

Lighting luminaries: 10 years

LED: 50,000 hours

System: 20,000 hours

8. Warranty: 1 year