

Plain Linear Light

DATA SHEET

LEDonline Ltd.

29 Gay Street, Bath, U.K. BA1 2NT

Tel: 01225 386593 Fax:01225 383325

Website: www.ledonline.co.uk

1. Applications :

Area: Indoor use only

Purpose: Cabinet lighting. Cupboard Light.

Features:

- Easy to installation.
- Super high lumens output.
- Good thermal dissipation design.
- High-efficient power design (constant current source).
- No flicker.
- UV or IR free.
- Cool beam avoids heat degeneration.
- Energy saving and Environment Friendly.
- Long operation life.

2. Specification :

Outline Dim.:



30 cm: 300 (L) x 48 (W) x 14 (H) mm

60 cm: 600 (L) x 48 (W) x 14 (H) mm

90 cm: 900 (L) x 48 (W) x 14 (H) mm

Input Voltage: 24Vdc
 Power Consumption: 7 Watt max.
 Operation Temp : -20~40C

Length	30cm	60cm	90cm
LED Light Source	1X6W (Nichia 083)	1X12W (Nichia 083)	1X18W (Nichia 083)
Net Weight	80g	160g	240g
CCT 3000±300 K	RL3811	RL3812	RL3813
CCT 5200±400 K	RL5811	RL5812	RL5813
CCT 6500±500 K	RL6611	RL6612	RL6613

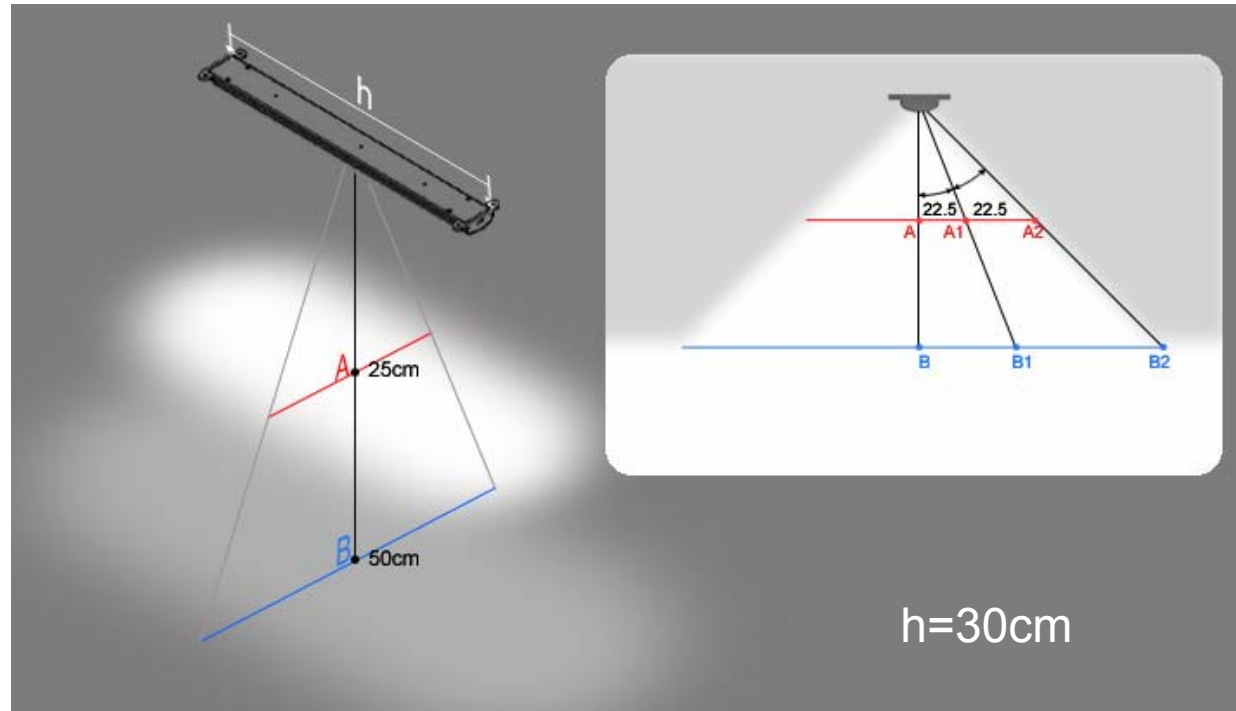
3. Packaging information :

30cm linear light		
Packing: 48 boxes /carton		
box	320X55X37(mm)	180g
carton	352X352X368(mm)	9.5kg

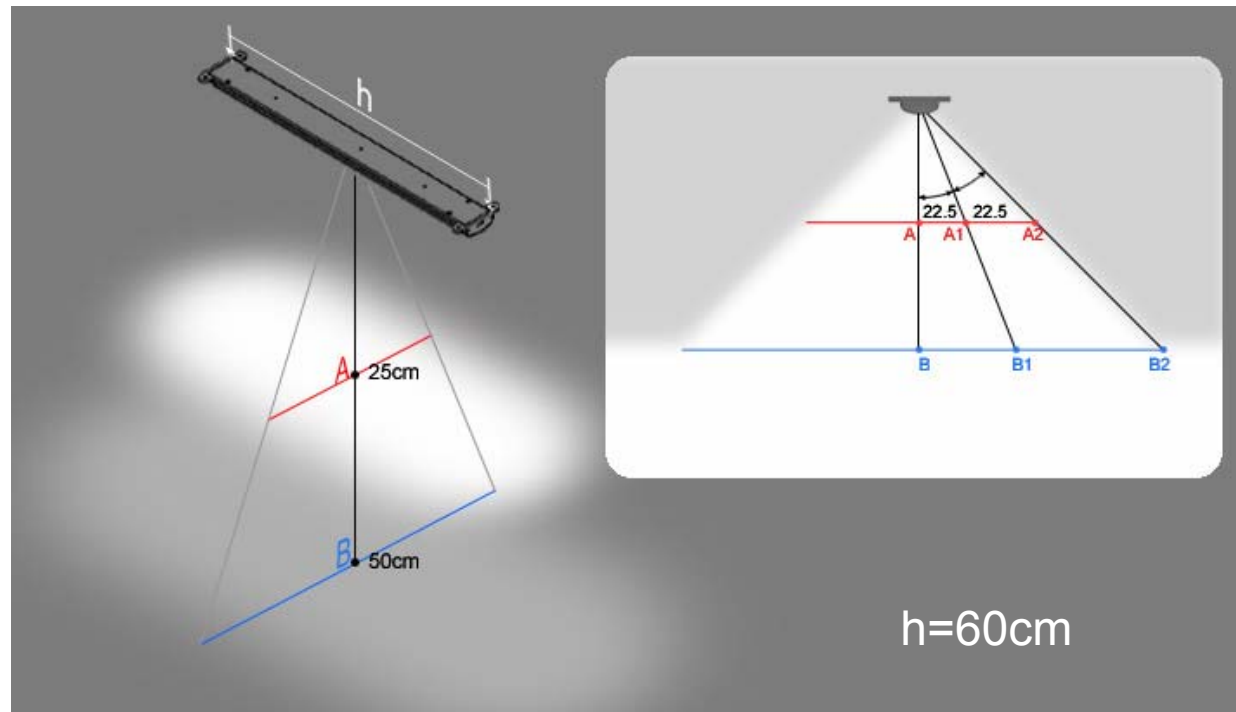
60cm linear light		
Packing: 36 boxes /carton		
box	640X55X37(mm)	350g
carton	1362X237X213(mm)	13.8kg

4. Optical performance :

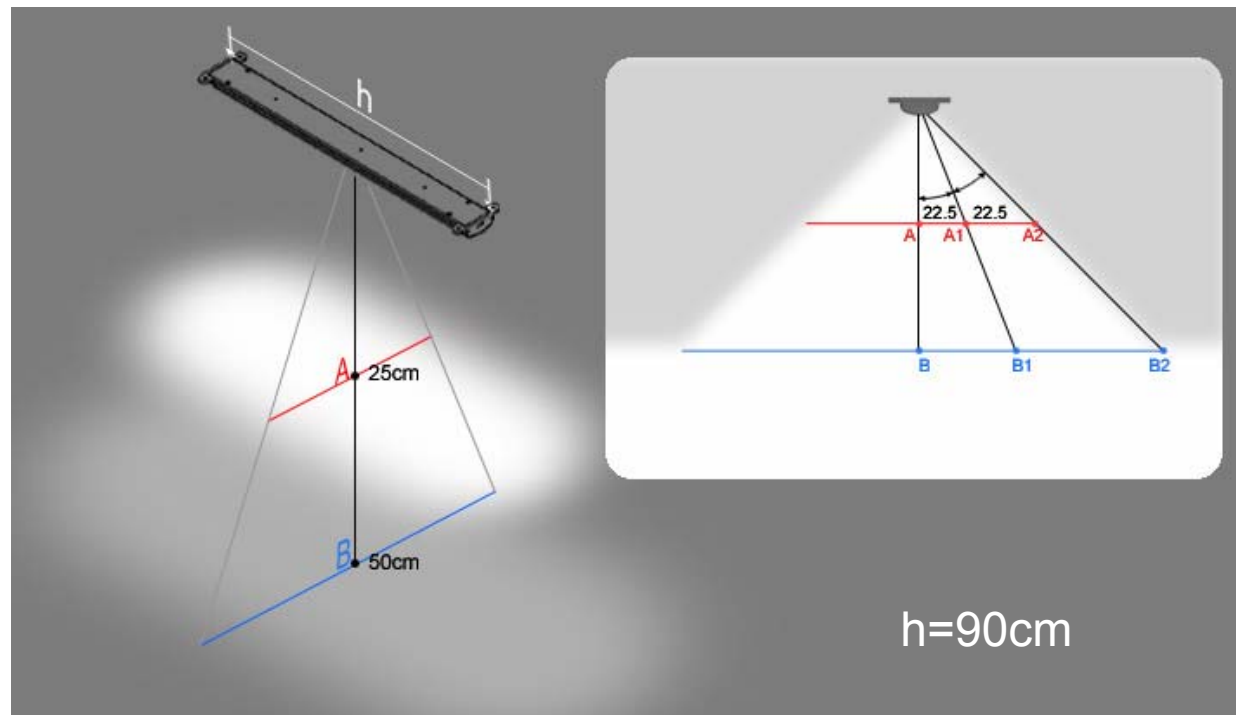
CCT	Model Number	Beam Angle	Lumens	CRI
3000±300 K	RL3811	120 degree	264	73.0
5200±400 K	RL5811	120 degree	330	76.0
6500±500 K	RL6611	70 degree	240	72.0



h=30		illumination (lx)				
	A	A1	A2	B	B1	B2
5200±400 K	1250	920	370	325	240	70
3000±300 K	945	650	245	280	205	75

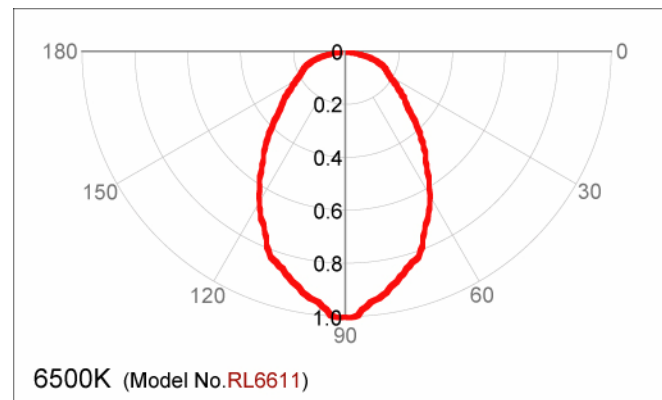
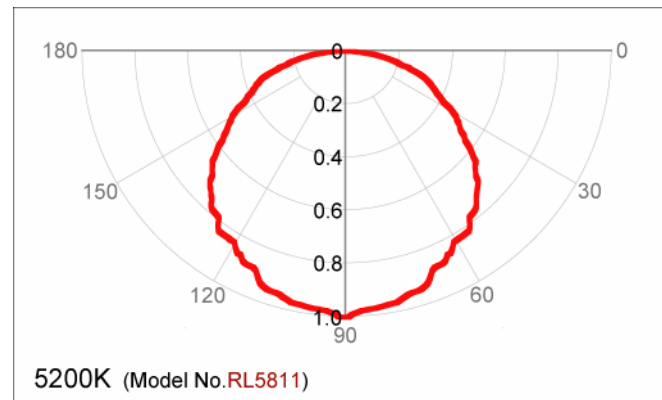
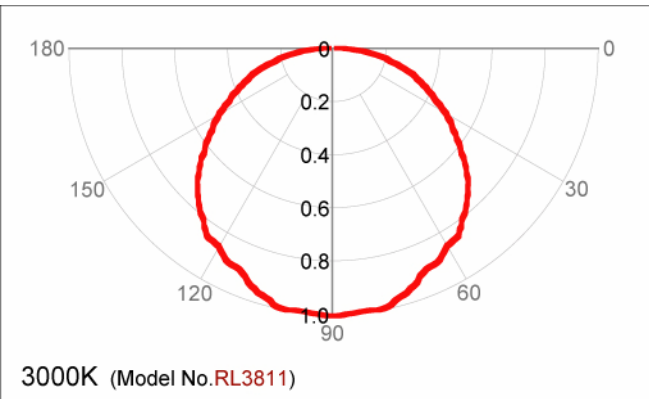


	illumination (lx)					
	A	A1	A2	B	B1	B2
5200±400 K	1657	1000	400	645	465	150
3000±300 K	1300	930	340	460	325	115



	h=90					
	illumination (lx)					
	A	A1	A2	B	B1	B2
5200±400 K	1690	1145	440	740	500	155
3000±300 K	1400	975	340	585	385	130

Relative Intensity vs. Beam Angle



5. Operation manual :

This product is recommended to use on the -20~40C environment to guarantee a long-life.

6. Safety warning :

Safety instruction: Only low voltage input (24V dc), hence, no special safety concern.

Cautions: -Don't drop the Light.
-Don't expose the light on the watering.

Warnings: The adapter is recommended to place on the open space.

8. Installation guide :

Connected Instruction: -30 Watt Adapter can only connect 4 strips 30cm Light max.
-Only the 24Vdc adapter can use.

9. Warranty :

Average Rated Life (hr): 20,000
