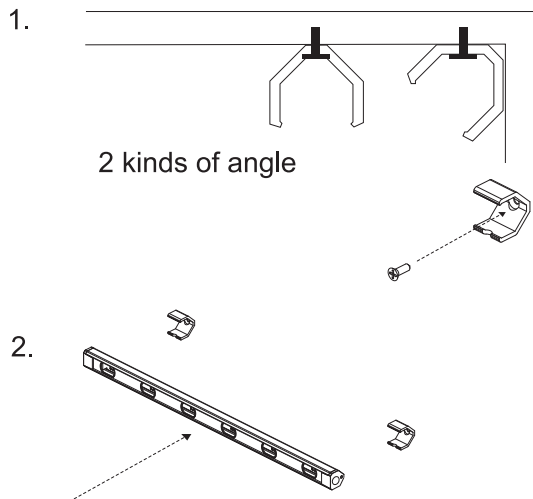


CABINET LINEARLIGHT USER MANUAL

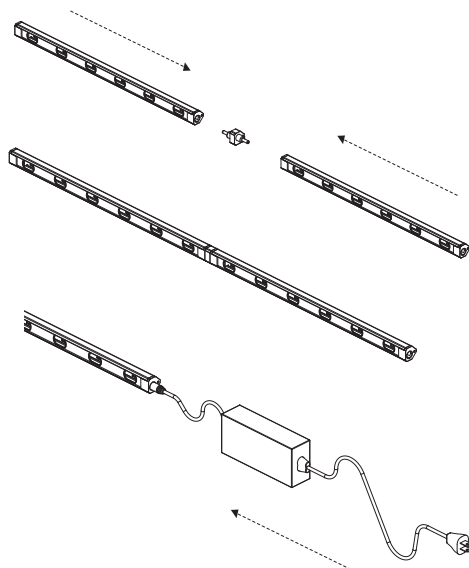
INSTALL YOUR LINEARLIGHT



1. Fix the fasteners at proper place.
2. Put the linearlight into the fastener.

CONNECT YOUR LINEARLIGHT

NOTICE: one 30-Watt adapter can drive a chain of 3 linearlights maximum.



Place inter-connector between two linear lights and make them as a chain.

APPLICATIONS

Indoor use only

Purpose:
Cabinet Lighting, Jewelry Lighting,
Decoration Lighting

SPECIFICATION

Dimension : 306(L)x16.6(W)x16.8(H) mm

LED Light Source : 1 W x 6ea

Input Voltage : 24V

Power Consumption : 7 W max.

Operation Temp : -20°C~40°C

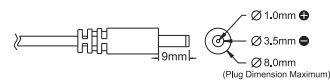
SAFETY WARNING

Cautions: Never use over 24V adapter or the power driver could be damaged. (please use appropriate adapter.)

Warnings:

1. Don't use improper adpter.
2. Manufacturer can't guarantee product life-time if the operation temperature is over 40 degree Celsius or under -20 degree Celsius.
3. Please don't turn on the power before installation complete.

Plug dimension



DISTRIBUTOR