

# High Power LED PAR20 (7x1W, E27)

DATA SHEET

## **LEDonline Ltd.**

*29 Gay Street, Bath, U.K. BA1 2NT*

*Tel: 01225 386593 Fax: 01225383325*

*Website: [www.ledonline.co.uk](http://www.ledonline.co.uk)*

### 1. Applications :

Area: Indoor

Purpose: Down light, Spot light, Wall washer lighting

Features: - Unique design for perfectly optical performance

- Special thermal management

- Switching mode power designs give High-efficient and constant current source

- Cool beam avoids heat degeneration

- Energy-saving and environment friendly

- UV and IR free

### 2. Specification :

Outline Dim: 63.2x87.3 (L) mm

LED Light Source: 7Wx1ea (Nichia 083BT)

Input Voltage: 220-240v AC

Power Consumption: 8-9 watt

Colour Temp.: 5200±500/2900±350K

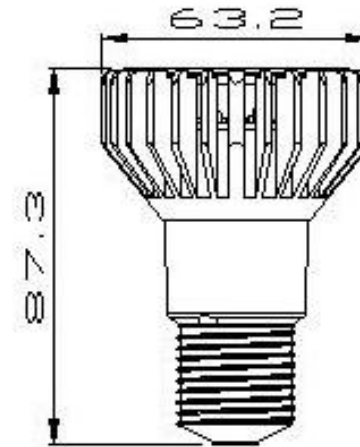
Operation Temp.: -20~40°C

Storage Temp.: -40~80°C

Halogen Equivalence: 65 watt

Net Weight: 156g

Beam Angle: 40°



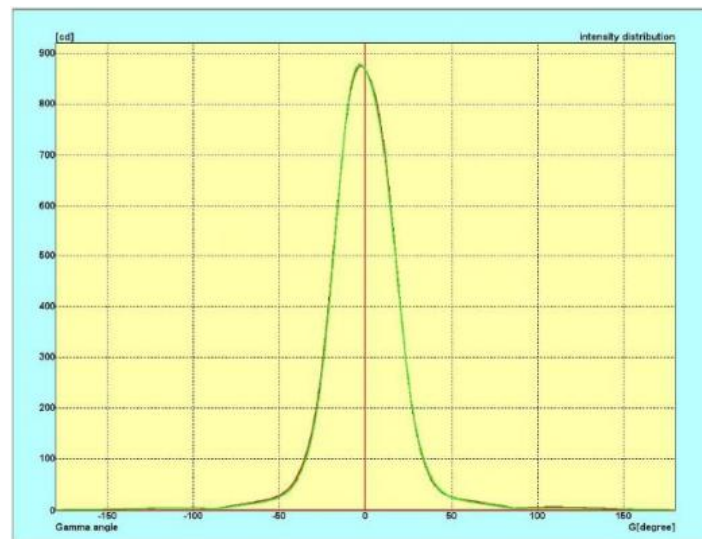
### 3. Packaging information:

Package: 48pcs /inner box, 2 inner box /carton		
box	68X68X125(mm)	160 g
carton	600X310X420 (mm)	18 kg

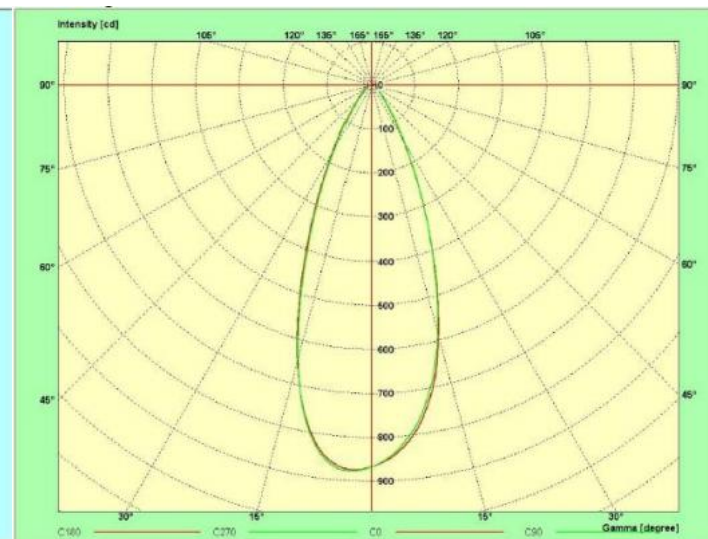
#### 4. Optical performance :

Colour Temp.	Model Number	Beam Angle	Output Lumens	CRI
4700-5700K	BL-2027W-NW71H	40 degree	700	75
2500-3200K	BL-2027W-NWW71H	40 degree	560	75

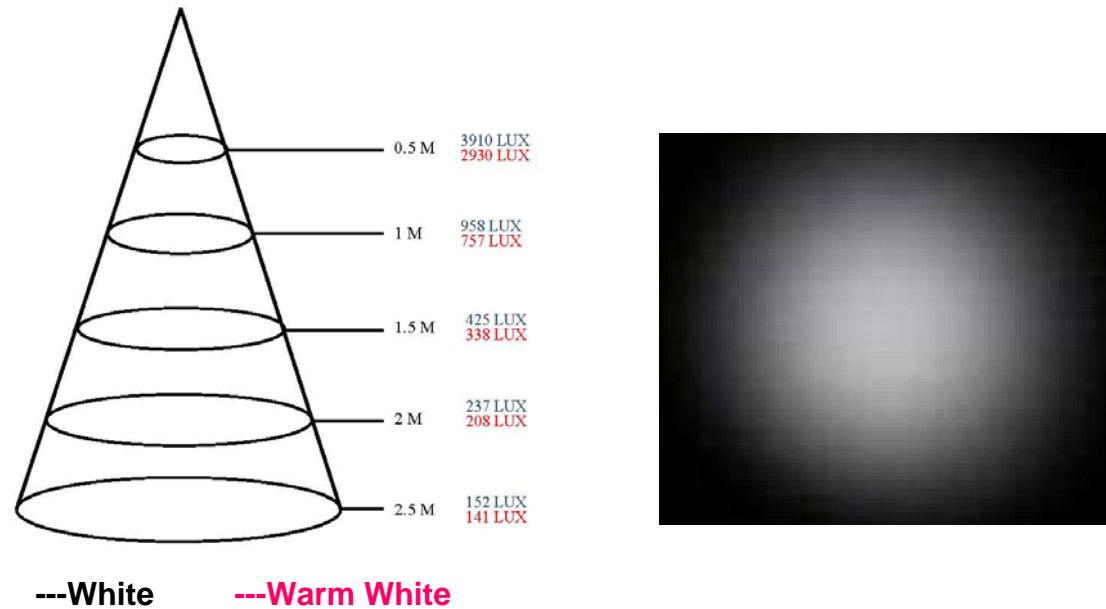
Cartesian Diagrams



Polar Diagrams



## Illumination Diagram



## 5. Safety Warning

The T-type series PAR20 is not compatible with all PAR20 fixtures. Before installation, please read following guidelines:

- T-type series PAR20 can not be installed in sealed fixtures.
- T-type series PAR20 can not be installed in outdoor fixtures.
- T-type series PAR20 is not designed for use in wet environment
- T-type series PAR20 can not install in a fixture which an integral primary optics to focus the light.

---

## **6. Average Life time**

Lighting luminaries: 10 years

LED: 50,000 hours

System: Min-20,000 hours

Max-50,000 hours

## **7. Warranty: 1 year**

---